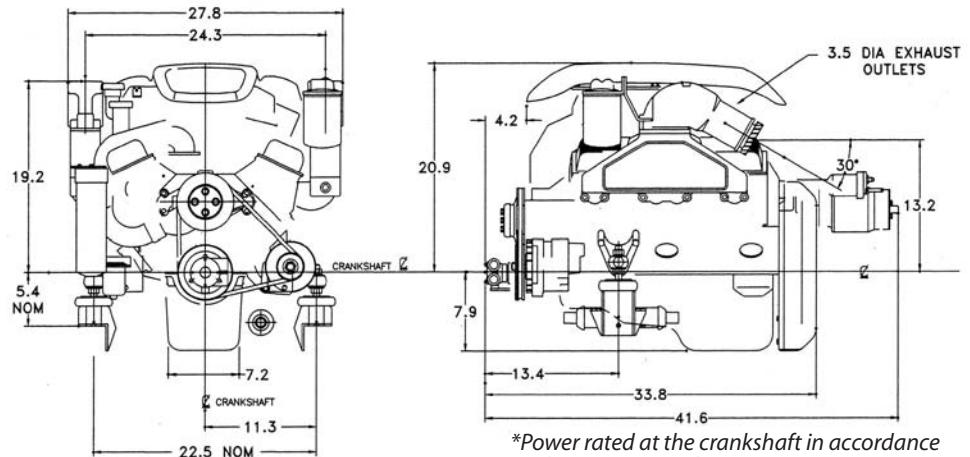


PCM ProSport 5.0 Specifications

PCM Model: Pro Sport EFI
Displacement: 5.0L/305 c.i.d.
Cylinders: V-8
Rated Power:* 275hp@4600rpm
Fuel System: Multi-Port EFI
Prop Rotation: LH or RH
Length: 44.6"
Width: 27.8"
Height: 20.9"
Total Weight:** 950 lbs



*Power rated at the crankshaft in accordance with NMMA procedure
 **With 1:1 in-line transmission.

Specifications

Adjust-a-Flex Mounting System

- ◆ Precision precompressed adjustable mount
- ◆ Vibration isolators for vibration-free performance
- ◆ Versatile six-way adjustment for trouble-free installation
- ◆ Unique rear mount system provides double support for added stability and strength
- ◆ Self-adjusting to stringer surface

Multi-Port Fuel Injection

- ◆ Instant starting
- ◆ Precise throttle response
- ◆ Outstanding cruising and top-end performance
- ◆ Increased fuel efficiency

Engine Management System

- ◆ Knock sensor adjusts for low octane fuel
- ◆ Automatic spark advance provides peak performance under all operating conditions
- ◆ Monitors the vital signs of the lubrication and cooling systems
- ◆ Rev limiter prevents engine damage from over-revving

Exclusive Fuel Control Cell

- ◆ Eliminates need for specially modified fuel tank

- ◆ Eliminates vapor lock
- ◆ Protects EFI system against contaminated fuel
- ◆ Premium, extra large fuel filter/water separator
- ◆ Easy to reach and service

Lubrication System

- ◆ Full pressure full flow filtering system
- ◆ Positive crankcase ventilation

Cooling System

- ◆ Freshwater cooling (optional)
- ◆ Transmission cooler
- ◆ Serpentine-Driven stainless steel raw water pump
- ◆ Thermostatically controlled cooling system

Exhaust System

- ◆ Free breathing pyramidal exhaust manifold
- ◆ High level exhaust discharge
- ◆ Reversible exhaust riser system

Electrical System

- ◆ Electronic Ignition
- ◆ 12-volt negative ground system
- ◆ High output 70-amp alternator
- ◆ Overload damage protection by a manual reset circuit breaker
- ◆ Temperature, oil pressure and voltage sending unit

Transmission Options

- ◆ Compatible with all major marine transmissions

Miscellaneous

- ◆ Owner's manual
- ◆ Engine lifting rings
- ◆ Throttle and shift control brackets
- ◆ Multi-coat non-corrosive paint protection
- ◆ U.S. Coast Guard approved flame arrester

Warranty

- ◆ 3-year limited warranty

PCM, a division of Pleasurecraft Engine Group, whose policy is one of continued improvement, reserves the right to discontinue options at any time or change specifications, equipment or designs without notice and incurring obligation.